

EL TOP VIEW LED 67-11-C70200H-AM



Features

- Package : Cool White LED with PLCC 2 package
- Emitted Color : Cool White
- Typ. Luminance Intensity : 1,800 mcd @ 20mA
- Typ. Luminous Flux : 5 lm @ 20mA
- Viewing angle : 120°
- ESD : up to 8KV
- Qualifications : According to AEC-Q101
- Precondition : According to JEDEC J-STD 020D
- Compliance with RoHS and REACH
- Ag Plating L/F
- MSL 2

Applications

- Automotive Interior Lighting, Dashboard, Switch, Reading lamp, Audio and Car Infotainment, etc.
- Backlight: LCD, switches, symbol, mobile phone and illuminated advertising.
- Optical indicator.
- General applications.

Contents

Characteristics	3
Absolute Maximum Ratings	4
Characteristics Graph	5
Binning Information	10
Part Number	15
Ordering Information	16
Mechanical Dimension	17
Recommended Soldering Pad	18
Reflow Soldering Profile	18
Packaging Information	19
Precaution for Use	21

1. Characteristics

Parameter		Symbol	Min.	Typ.	Max.	Unit	Condition
Forward Current	Cool White	I_F	2	20	30	mA	---
Luminous Intensity	Cool White	I_V	1400	1800	3550	mcd	$I_F=20\text{mA}$
Forward Voltage	Cool White	V_F	2.75	3.1	3.75	V	$I_F=20\text{mA}$
Viewing Angle	Cool White	ϕ	---	120	---	deg	$I_F=20\text{mA}$
Color	Cool White	CIE x	---	0.3	---		$I_F=20\text{mA}$
Color	Cool White	CIE y	---	0.3	---	---	$I_F=20\text{mA}$
Thermal Resistance (Junction to Solder)	Real	$R_{th\ JS\ real}$	---	130	---	K/W	$I_F=20\text{mA}$
	Electrical	$R_{th\ JS\ el}$	---	90	---		

Notes:

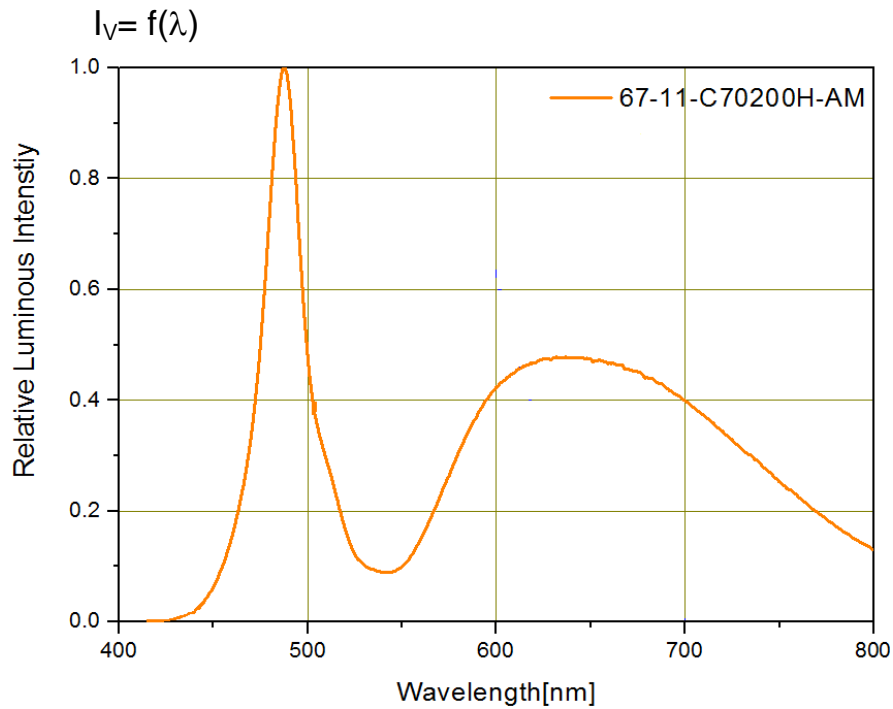
1. Luminous Intensity measurement tolerance: $\pm 8\%$.
2. The data of Luminous Intensity measured at thermal pad=25°C.
3. Typical luminous Intensity or light output performance is operated within the condition guided by this datasheet.
4. Forward voltage measurement tolerance: $\pm 0.05\text{V}$.
5. The V_F range shown in the table above indicates 99% output.
6. Tolerance of Chromaticity Coordinates x,y: ± 0.005 .

2. Absolute Maximum Ratings

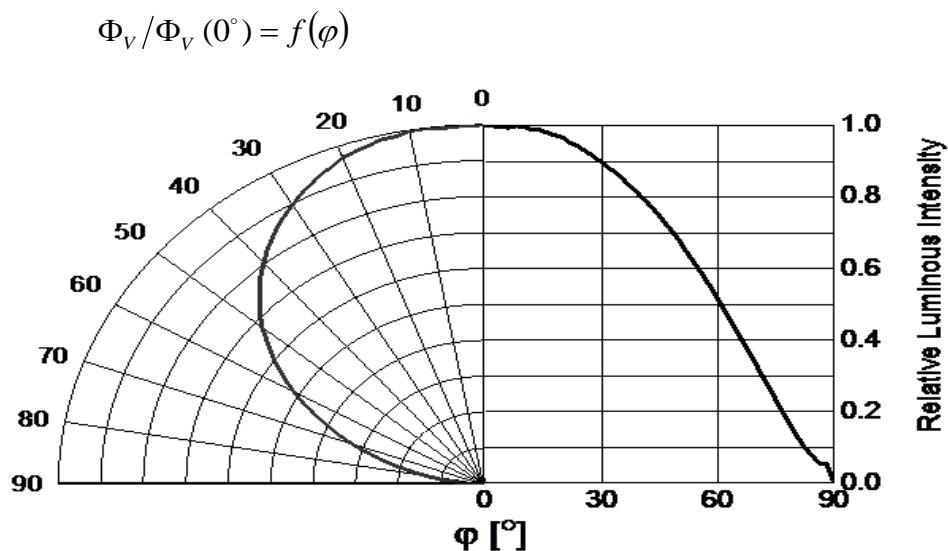
Parameter	Symbol	Ratings	Unit
Power Dissipation	P_d	112	mW
Forward Current	I_F	2~30	mA
Surge Current ($t \leq 10 \mu s$; $D=0.005$; $T_s=25 \text{ }^\circ\text{C}$)	I_{FM}	250	mA
Reverse Voltage	V_R	Not designed for reverse operation	V
Junction Temperature	T_J	125	$^\circ\text{C}$
Operating Temperature	T_{opr}	-40 ~ +110	$^\circ\text{C}$
Storage Temperature	T_{stg}	-40 ~ +110	$^\circ\text{C}$
ESD Sensitivity ($R=1.5k\Omega$, $C=100pF$)	ESD_{HBM}	8	kV
Soldering Temperature	Reflow	260 $^\circ\text{C}$ for 30sec	$^\circ\text{C}$

3. Characteristics Graph

Wavelength Characteristics Relative Spectral Distribution
@ $T_s = 25^\circ\text{C}$, $I_F = 20\text{mA}$, $RH = 30\%$



Typical Diagram Characteristics of Radiation

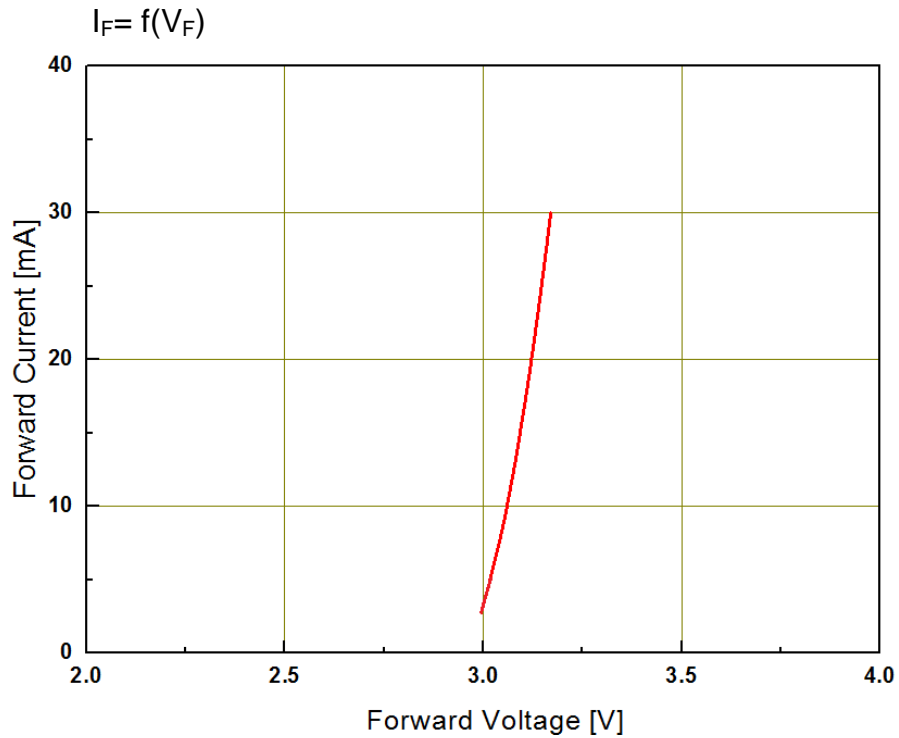


Notes:

1. φ is the off axis angle from lamp centerline where the luminous intensity is 1/2 of the peak value.

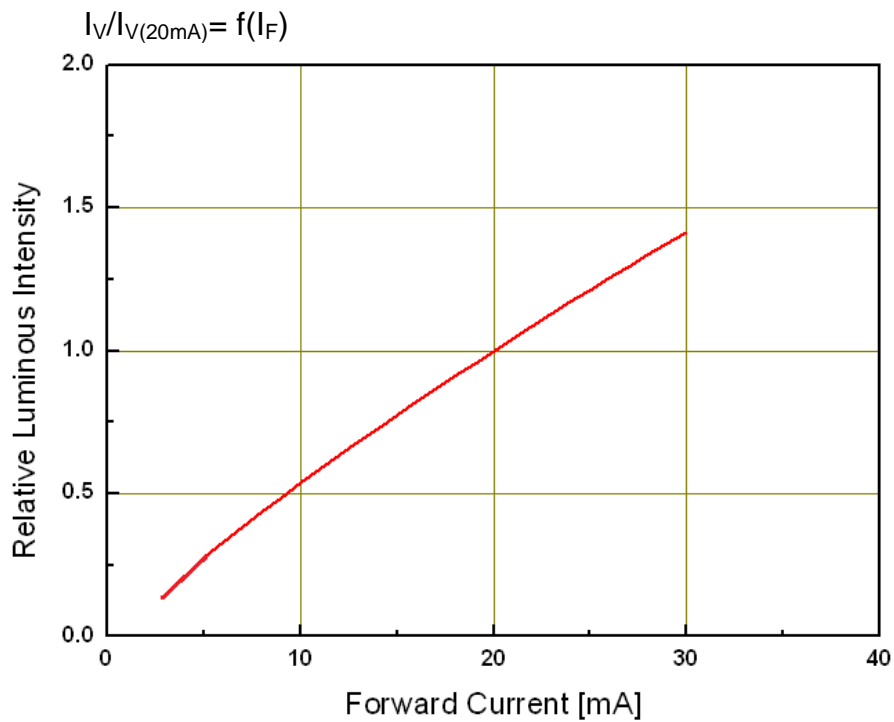
Forward Current vs. Forward Voltage

@ Ts = 25°C



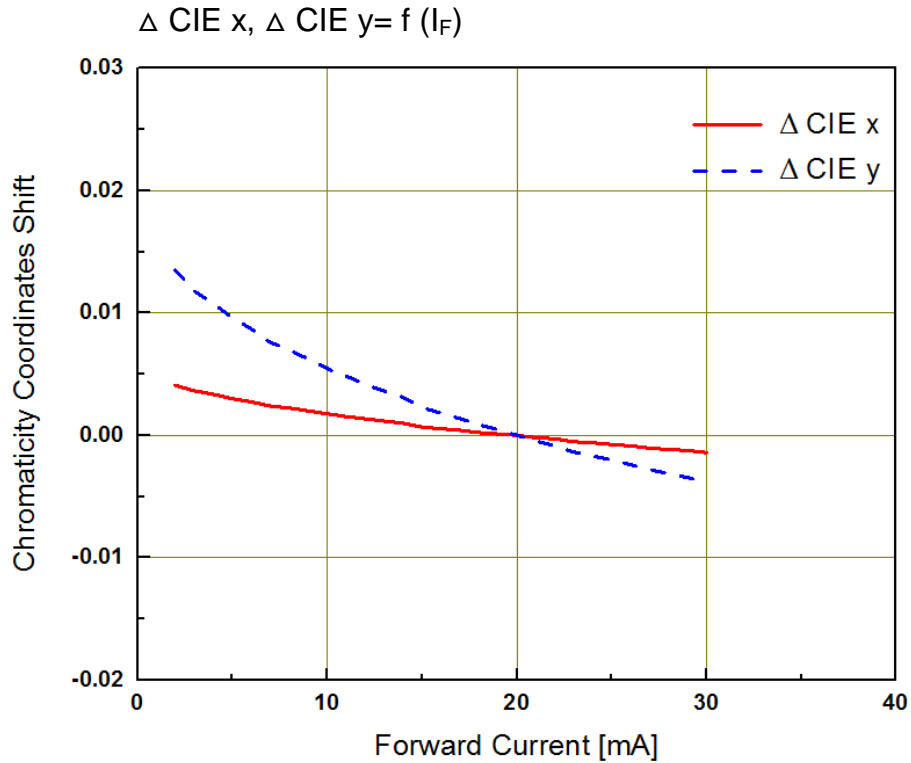
Relative Luminous Intensity vs. Forward Current

@ Ts = 25°C



Chromaticity Coordinates Shift vs. Forward Current

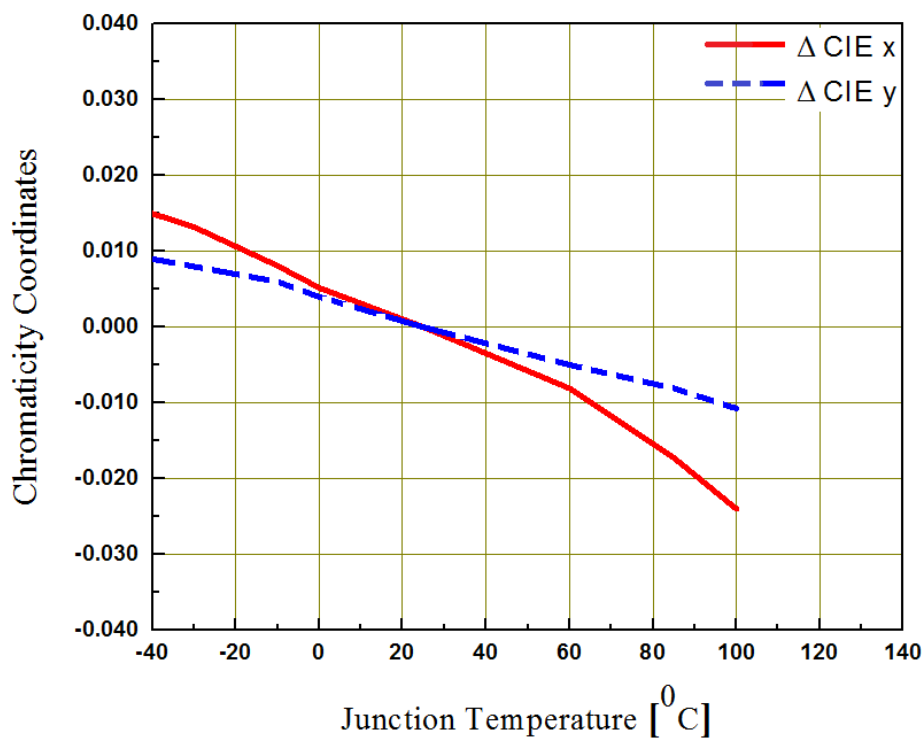
@ $T_s = 25^\circ\text{C}$



Chromaticity Coordinates Shift vs. Junction Temperature

@ $I_F = 20\text{mA}$

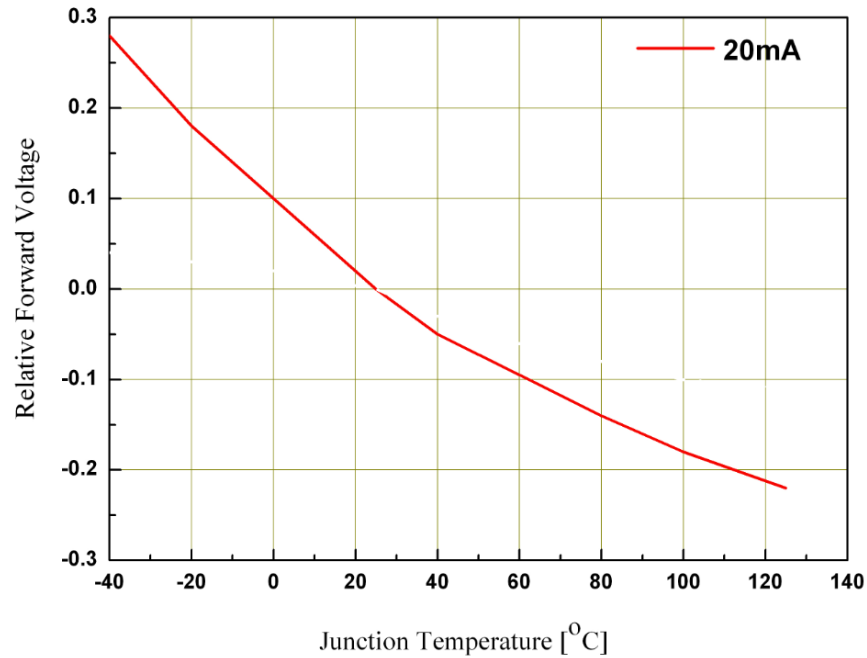
$\Delta \text{CIE } x, \Delta \text{CIE } y (T_J, 25^\circ\text{C}) = f(T_J)$



Relative Forward Voltage vs. Junction Temperature

@ $I_F=20\text{mA}$

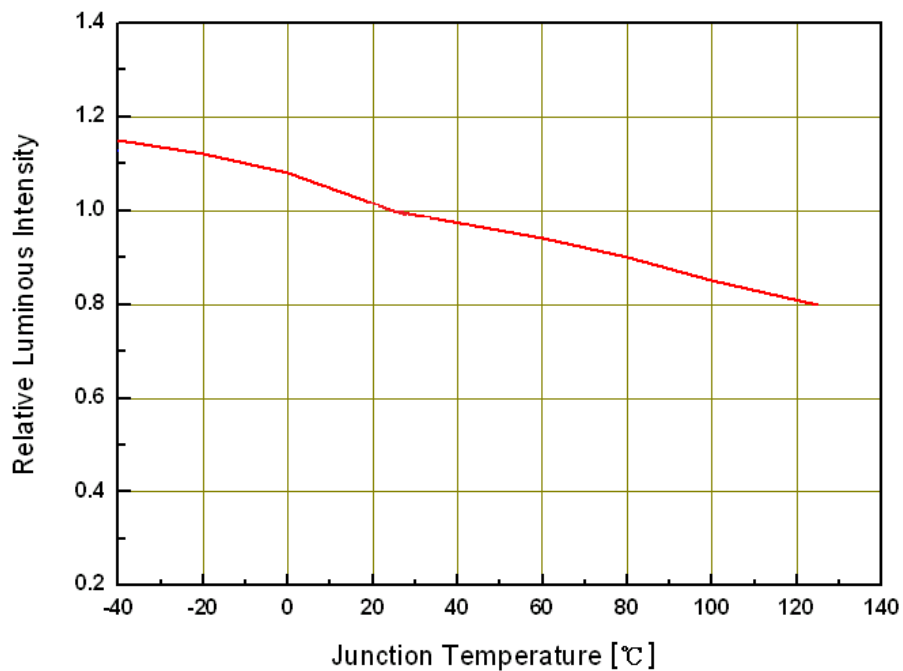
$$V_F - V_F(T_J, 25^\circ\text{C}) = f(T_J)$$



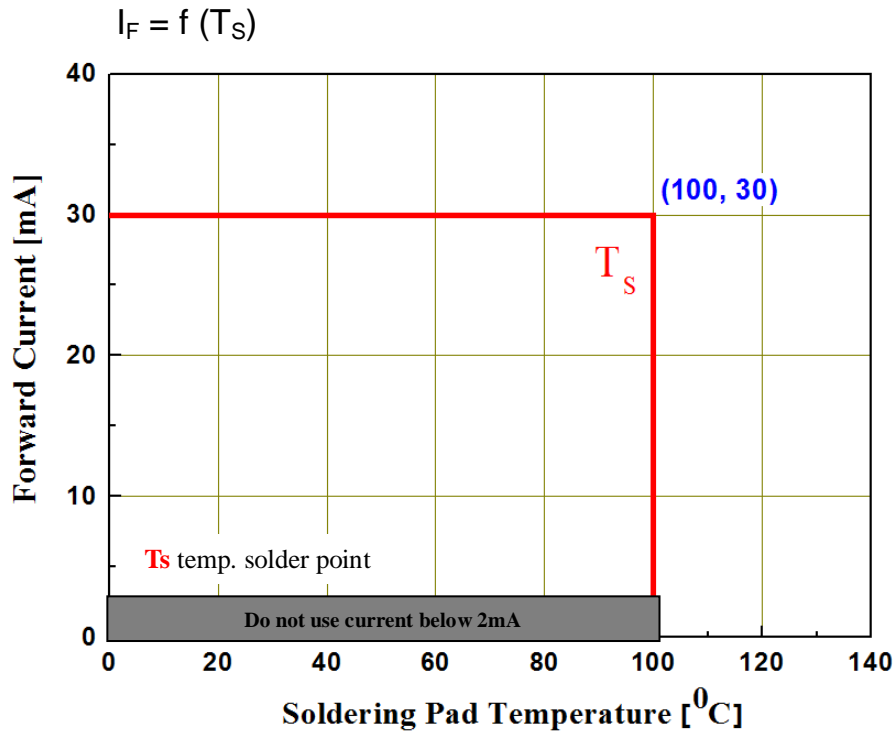
Relative Luminous Intensity vs. Junction Temperature

@ $I_F=20\text{mA}$

$$I_V / I_V(T_J, 25^\circ\text{C}) = f(T_J)$$

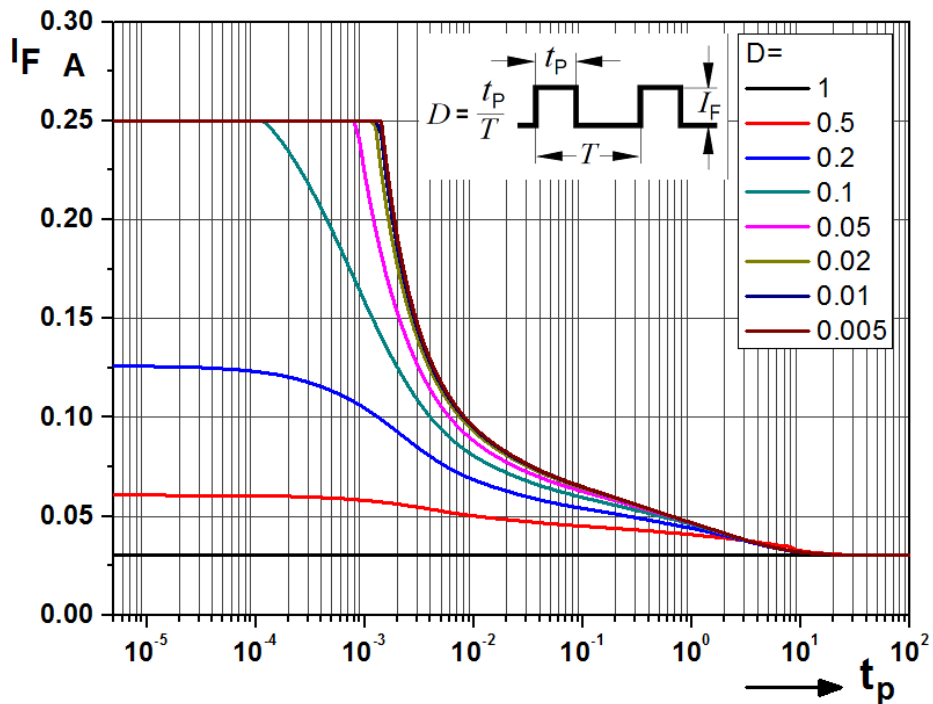


Forward Current Derating Curve



Permissible Pulse Handling Capability

$I_F = f(t_p); D = \text{Duty cycle}; T_A = 25^{\circ}\text{C}$



4. Binning Information

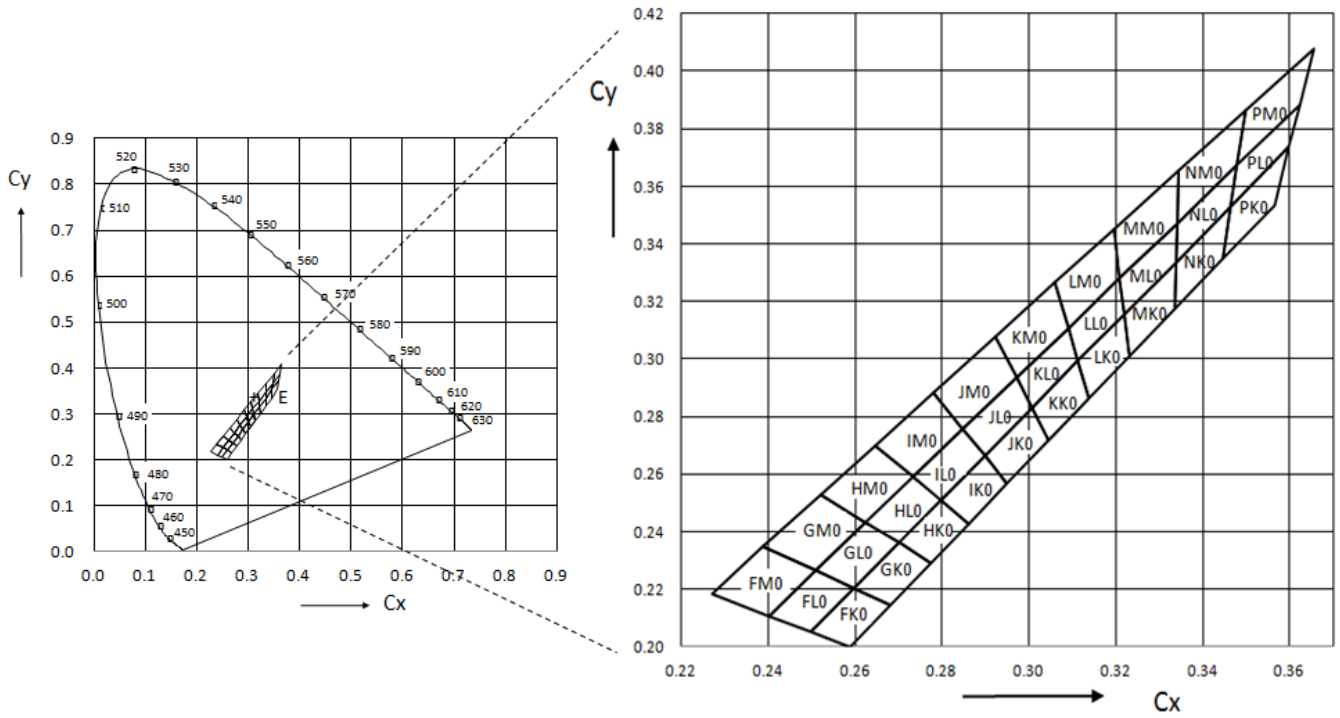
Luminous Intensity Bins

Group Bin	Minimum Luminous Intensity (mcd)	Maximum Luminous Intensity (mcd)
L1	11.2	14
L2	14	18
M1	18	22.4
M2	22.4	28
N1	28	35.5
N2	35.5	45
P1	45	56
P2	56	71
Q1	71	90
Q2	90	112
R1	112	140
R2	140	180
S1	180	224
S2	224	280
T1	280	355
T2	355	450
U1	450	560
U2	560	710
V1	710	900
V2	900	1120
AA	1120	1400
AB	1400	1800
BA	1800	2240
BB	2240	2800
CA	2800	3550
CB	3550	4500
DA	4500	5600
DB	5600	7100
EA	7100	9000
EB	9000	11200
FA	11200	14000
FB	14000	18000
GA	18000	22400

Notes:

1. Luminous flux measurement tolerance: $\pm 8\%$.
2. Highlighted Black Box is available bins.

Cool White Color Bin Structure



Cool White Color Bin Coordinates

Bin Code	CIE_x	CIE_y	Bin Code	CIE_x	CIE_y
FK0	0.2589	0.2000	NK0	0.3339	0.3336
	0.2498	0.2053		0.3335	0.3172
	0.2597	0.2204		0.3447	0.3347
	0.2682	0.2146		0.3465	0.3530
GK0	0.2682	0.2146	PK0	0.3465	0.3530
	0.2597	0.2204		0.3447	0.3347
	0.2700	0.2361		0.3567	0.3535
	0.2775	0.2292		0.3599	0.3735
HK0	0.2775	0.2292	FL0	0.2498	0.2053
	0.2700	0.2361		0.2402	0.2108
	0.2797	0.2509		0.2509	0.2264
	0.2861	0.2427		0.2597	0.2204
IK0	0.2861	0.2427	GL0	0.2597	0.2204
	0.2797	0.2509		0.2509	0.2264
	0.2898	0.2664		0.2624	0.2431
	0.2950	0.2568		0.2700	0.2361
JK0	0.2950	0.2568	HL0	0.2700	0.2361
	0.2898	0.2664		0.2624	0.2431
	0.3007	0.2830		0.2733	0.2590
	0.3045	0.2717		0.2797	0.2509
KK0	0.3045	0.2717	IL0	0.2797	0.2509
	0.3007	0.2830		0.2733	0.2590
	0.3113	0.2992		0.2848	0.2757
	0.3138	0.2862		0.2898	0.2664
LK0	0.3138	0.2862	JL0	0.2898	0.2664
	0.3113	0.2992		0.2848	0.2757
	0.3219	0.3154		0.2971	0.2935
	0.3231	0.3008		0.3007	0.2830
MK0	0.3339	0.3336	KL0	0.3007	0.2830
	0.3219	0.3154		0.2971	0.2935
	0.3231	0.3008		0.3090	0.3108
	0.3335	0.3172		0.3113	0.2992

Cool White Color Bin Coordinates

Bin Code	CIE_x	CIE_y	Bin Code	CIE_x	CIE_y
LL0	0.3113	0.2992	IM0	0.2733	0.2590
	0.3090	0.3108		0.2646	0.2700
	0.3209	0.3281		0.2780	0.2883
	0.3219	0.3154		0.2848	0.2757
ML0	0.3341	0.3472	JM0	0.2848	0.2757
	0.3209	0.3281		0.2780	0.2883
	0.3219	0.3154		0.2922	0.3077
	0.3339	0.3336		0.2971	0.2935
NL0	0.3341	0.3472	KM0	0.2971	0.2935
	0.3339	0.3336		0.2922	0.3077
	0.3465	0.3530		0.3060	0.3266
	0.3479	0.3673		0.3090	0.3108
PL0	0.3479	0.3673	LM0	0.3090	0.3108
	0.3465	0.3530		0.3060	0.3266
	0.3599	0.3735		0.3196	0.3451
	0.3623	0.3882		0.3209	0.3281
FM0	0.2388	0.2348	MM0	0.3345	0.3654
	0.2269	0.2185		0.3196	0.3451
	0.2402	0.2108		0.3209	0.3281
	0.2509	0.2264		0.3341	0.3472
GM0	0.2509	0.2264	NM0	0.3345	0.3654
	0.2388	0.2348		0.3341	0.3472
	0.2520	0.2527		0.3479	0.3673
	0.2624	0.2431		0.3498	0.3863
HM0	0.2624	0.2431	PM0	0.3498	0.3863
	0.2520	0.2527		0.3479	0.3673
	0.2646	0.2700		0.3623	0.3882
	0.2733	0.2590		0.3655	0.4079

Forward Voltage Bins

Bin code	Forward Voltage [V]
10	1.00
12	1.25
15	1.50
17	1.75
20	2.00
22	2.25
25	2.50
27	2.75
30	3.00
32	3.25
35	3.50
37	3.75
40	4.00
42	4.25
45	4.50
47	4.75
50	5.00
52	5.25
55	5.50
57	5.75
60	6.00
62	6.25
65	6.50
67	6.75
70	7.00

Notes:

1. Forward voltage measurement tolerance: $\pm 0.05V$.
2. Forward voltage bins are defined at $I_F = 20mA$ operation.

5. Part Number

67-11-C70200H-AM

Part number is designated with below details.

67-11 = Product family name.

C = Color ^[1]

7 = CRI (0=N/A; >70%=7; >80%=8; >90%=9)

020 = Test current [mA]

0 = Lead Frame Type (0=Ag; 1=Au)

H = Brightness Level (H=High; L=Low)

AM = Automotive application

Note

^[1] Color :

Symbol	Description
C	Cool White
N	Neutral White
W	Warm White
PA	Phosphor Converted Amber
PR	Phosphor Converted Red
UB	Blue
IB	Ice Blue
SB	Sky Blue
UG	Green
UY	Yellow
UA	Amber
UR	Red
SR	Super Red
RGB	RGB-Color

6. Ordering Information

67-11- C70200H-**ABCDEFGHIJKLMNO-PQ-AM**

Part Number of the 67-11	Order Code
67-11-C70201H-AM	67-11-C70200H-PM0FK0ABCA2737-2T-AM
	67-11-C70200H-HM0FL0ABCA2737-2T-AM
	67-11-C70200H-JM0HL0ABCA2737-2T-AM
	67-11-C70200H-MM0KL0ABCA2737-2T-AM
	67-11-C70200H-PM0ML0ABCA2737-2T-AM
	67-11-C70200H-HL0FK0ABCA2737-2T-AM
	67-11-C70200H-JL0HK0ABCA2737-2T-AM
	67-11-C70200H-ML0KK0ABCA2737-2T-AM
	67-11-C70200H-PL0MK0ABCA2737-2T-AM
	67-11-C70200H-HM0FM0ABCA2737-2T-AM
	67-11-C70200H-KM0IM0ABCA2737-2T-AM
	67-11-C70200H-NM0LM0ABCA2737-2T-AM
	67-11-C70200H-HL0FL0ABCA2737-2T-AM
	67-11-C70200H-KL0IL0ABCA2737-2T-AM
	67-11-C70200H-NL0LL0ABCA2737-2T-AM
	67-11-C70200H-HK0FK0ABCA2737-2T-AM
67-11-C70200H-KK0IK0ABCA2737-2T-AM	
67-11-C70200H-NK0LK0ABCA2737-2T-AM	

Order code contains information with below details :

ABCDEF = min/max wavelength or CCT

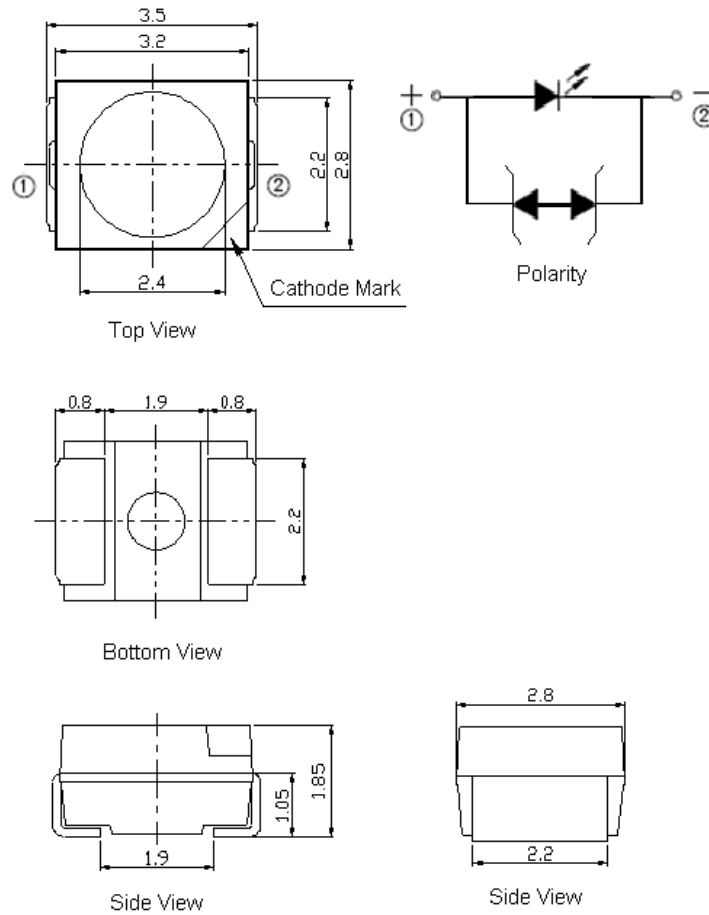
GHJK = min./max. luminous flux in [lm] or luminous intensity in [mcd]

LMNO = min./max. forward voltage

PQ = internal code

AM = Automotive Application

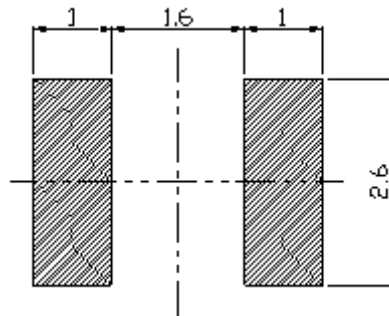
7. Mechanical Dimension



Notes:

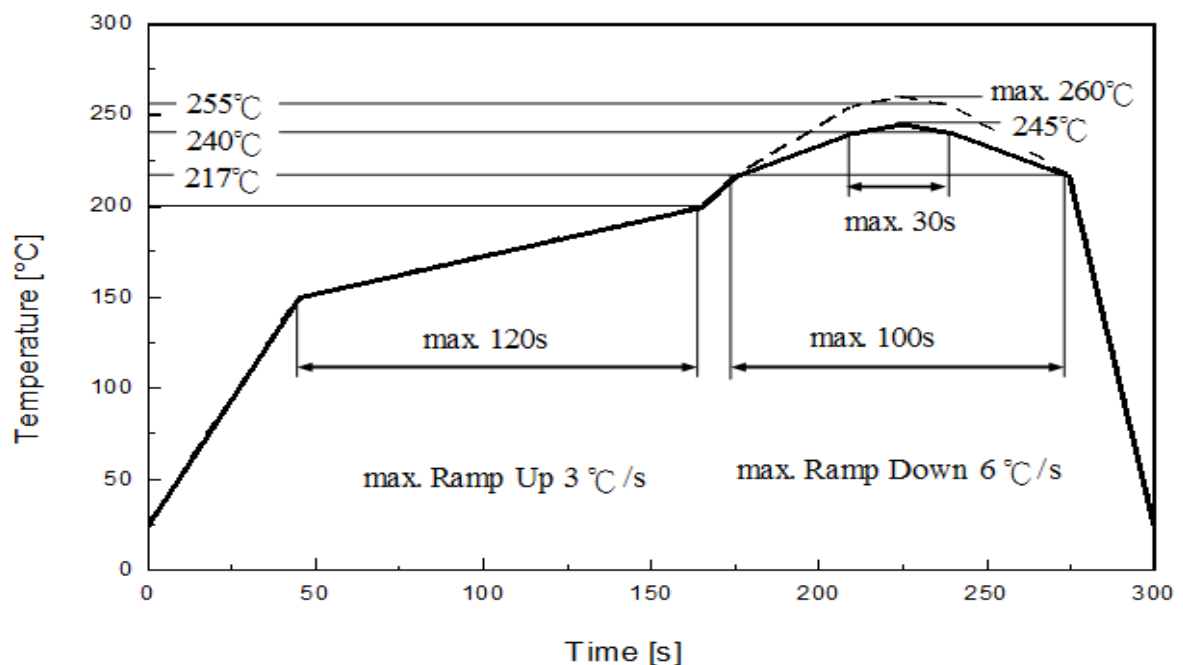
1. Dimensions are in millimeters.
2. Tolerances unless mentioned are $\pm 0.1\text{mm}$.

8. Recommended Soldering Pad



9. Reflow Soldering Profile

Soldering Condition (Reference: IPC/JEDEC J-STD-020D)



Profile Feature	Pb-Free Assembly	Unit
	Recommendation	
Ramp-up rate to preheat 25 °C to 150 °C	3	°C /sec
Time of soaking zone 150 °C to 200 °C	120	sec
Ramp-up rate to peak	3	°C /sec
Liquidus temperature	217	°C
Time above liquidus temperature	100	sec
Peak temperature (max.)	260	°C
Time within 5°C of the specified peak temperature	30	sec
Ramp-down Rate (max.)	6	°C /sec

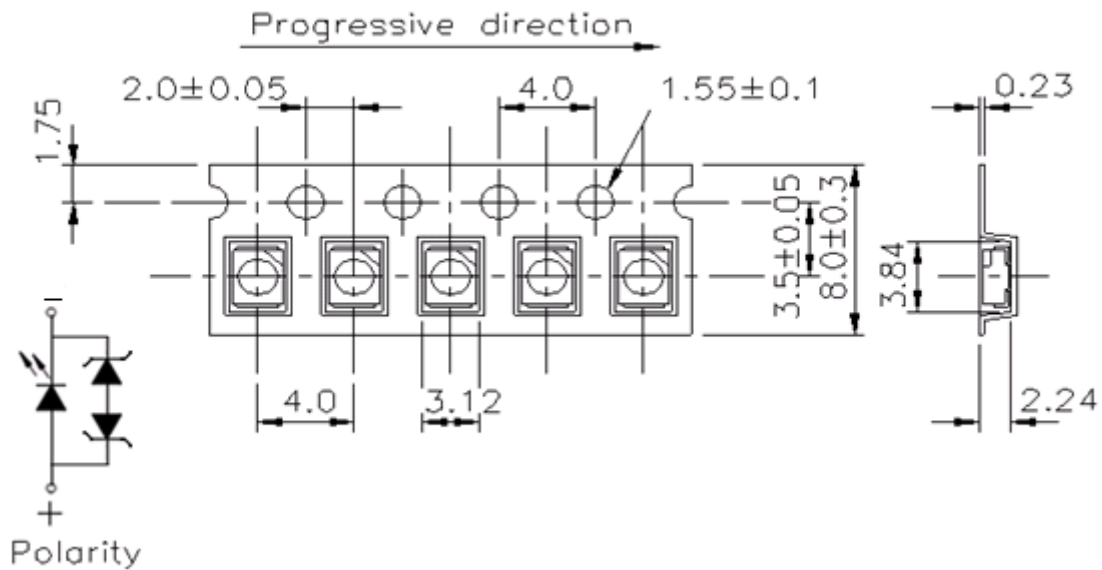
10. Packaging Information

• Product Labeling



- CPN : Customer's Product Number
- P/N : Everlight Part Number
- QTY : Packing Quantity
- CAT : Luminous Flux (Brightness) Bin
- HUE : Color Bin
- REF : Forward Voltage Bin
- LOT No : Lot Number

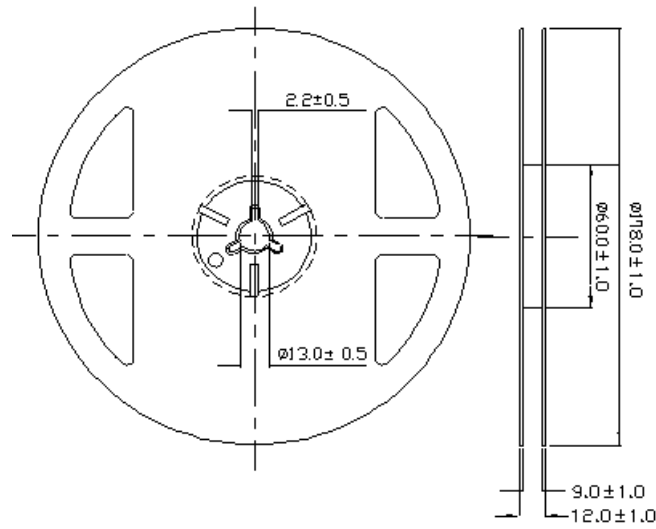
• Packing: Loaded Quantity 2000 pcs Per Reel



Notes:

1. Dimensions are in millimeters.
2. Tolerances for fixed dimensions are ± 0.2 mm.

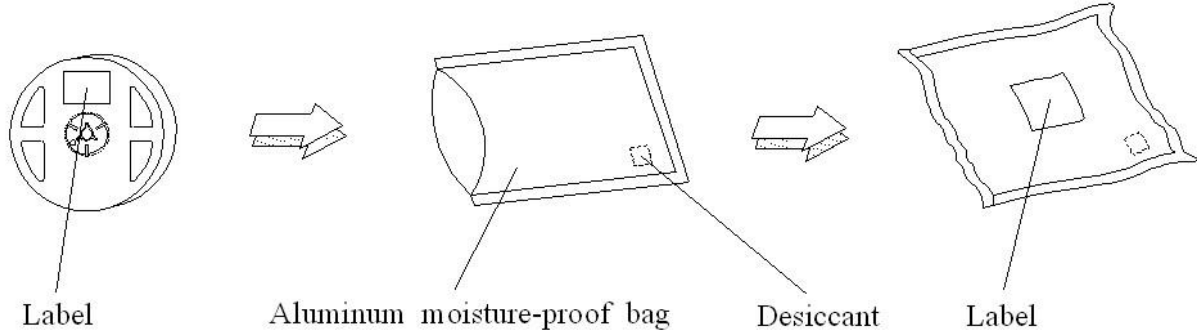
● Reel Dimensions



Notes:

1. Dimensions are in millimeters.
2. Tolerances unless mentioned are ± 0.2 mm.

● Moisture Resistant Packing Process



Notes:

1. Dimensions are in millimeters.
2. Tolerances unless mentioned are ± 0.2 mm.

11. Precaution for Use

1. Over-current-proof

Customer must apply resistors for protection; otherwise slight voltage shift will cause big current change (burn out will happen).

2. Assemblies

Do not stack assemblies containing LEDs to prevent damage to the optical surface of LEDs. Forces applied to the optical surface may result in the surface being damaged.

3. Soldering Condition

3.1 When soldering, do not put stress on the LEDs during heating.

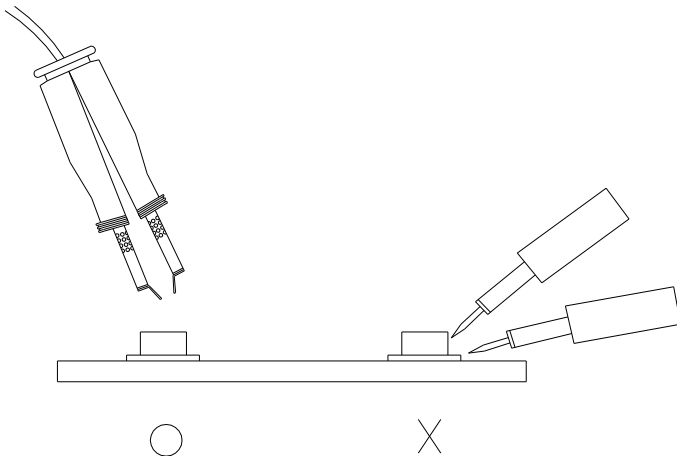
3.2 After soldering, do not warp the circuit board.

4. Soldering Iron

Each terminal is to go to the tip of soldering iron temperature less than 350°C for 3 seconds within once in less than the soldering iron capacity 25W. Leave two seconds and more intervals, and do soldering of each terminal. Be careful because the damage of the product is often started at the time of the hand solder.

5. Repairing

Repair should not be done after the LEDs have been soldered. When repairing is unavoidable, a double-head soldering iron should be used (as below figure). It should be confirmed beforehand whether the characteristics of the LEDs will or will not be damaged by repairing.



Revision History

Current version: May.25.2017

Issue No: DSE-0017087

Version: 3

Created by: Vicky Feng

Rev.	Subjects (major change in previous version)	Modified date
1	Approved	2016/12/30
2	Correct CIE	2017/01/23
3	Add MSL, surge current, Permissible Pulse Handling Capability fig	2017/05/25